



PLT

# A PARTNER THAT DOESN'T FEAR HARD LABOR



**Anssems** FLATBED TRAILER **PLT**

LOW LOADER TRAILERS



**FLATBED TRAILERS**



MULTIPURPOSE TRAILERS



CAR TRANSPORTERS



TIPPERS



HARD TOP COVER TRAILERS



BOX VAN TRAILERS



HORSE TRAILERS



CONSTRUCTION TRAILERS





**“THE ANSSEMS PLT IS COMFORTABLY LIGHT AND EXTREMELY STRONG”**

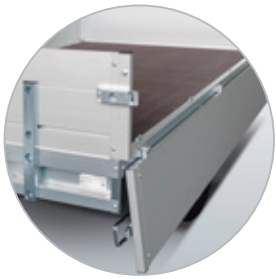
## PLT flatbed trailers

The Anssems PLT has a distinctive character due to its ergonomic design, an extremely light but strong construction, giving maximum load capacity. The wheels under the platform design of the Anssems PLT give a large load area which is easily accessible with the drop side- and rear panels lowered.



## There is always an ideal model

There is a wide selection of PLT models. Braked or un-braked, single or tandem axle, different weight capacities and a wide selection of dimensions. With 8 different models there is always a PLT flatbed trailer that exactly meets your needs. All PLT models come as standard with multiple tie down points to help keep your load secure.



Optimally accessible loading floor



Standard equipped with jockey wheel



Equipped with span lockers



8 tie hooks on loading floor



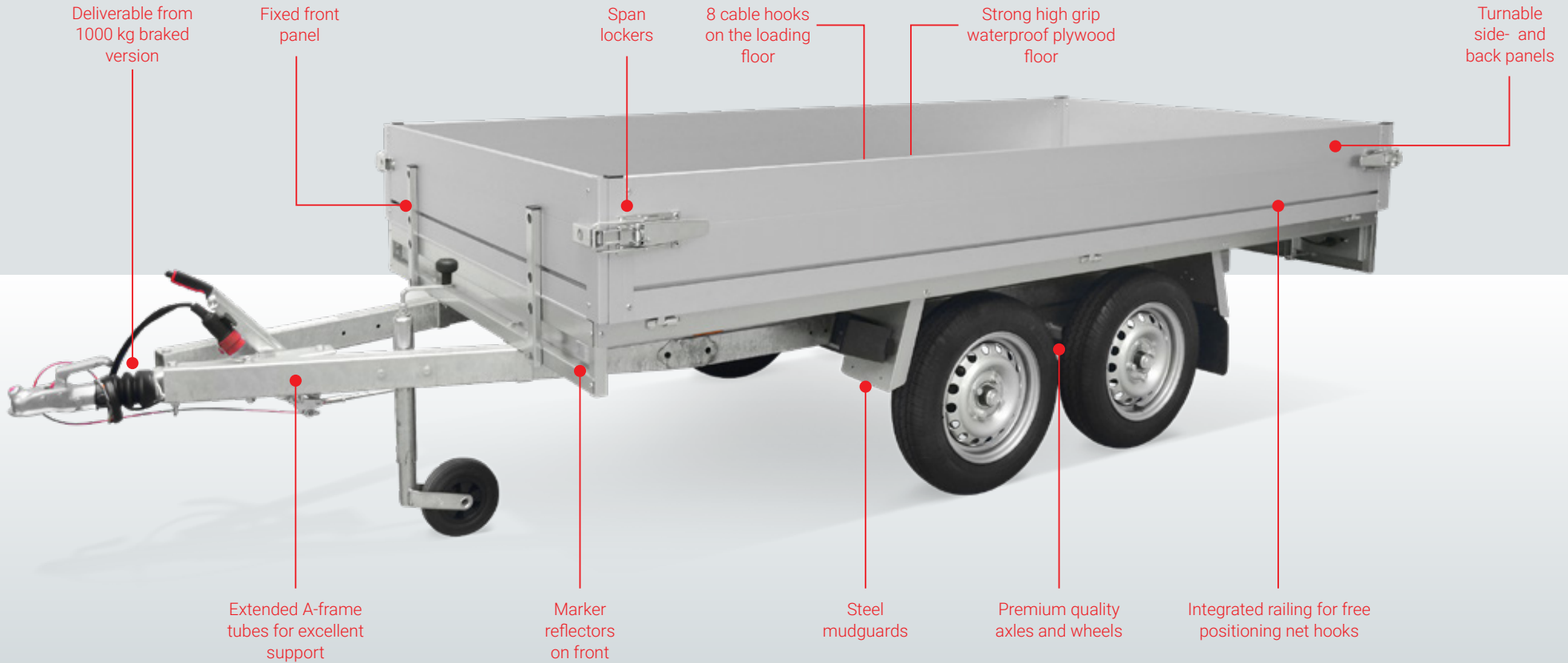
Tie-rail for removable and adjustable net hooks



Reliable and clear lighting



Always clearly visible







## Extend your PLT

The PLT accessories allow you to personalise your trailer to even better suit your needs, whether you use the PLT professionally or for private use. View the options that Anssems can offer you.

**“THE ANSSEMS PLT IS COMPLETELY  
TAILORED TO MY DEMANDS”**



A flat cover offers extra protection during transport. This cover is easy to attach to the net hooks.



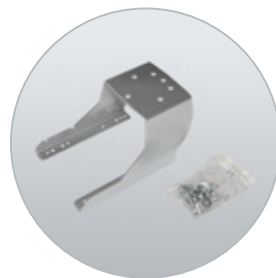
The ladder rack at the front is very popular with Anssems PLT owners. It creates additional locking options and supports high volume loads.



Accessorie:  
aluminium ramps



Accessorie:  
Spare wheel



Accessorie:  
Spare wheel support



Accessorie:  
Net hooks



Accessorie:  
Tie eye



Accessorie: axle shock  
absorbers  
(for braked version only)

Accessorie:  
Extended  
panels 30 cm

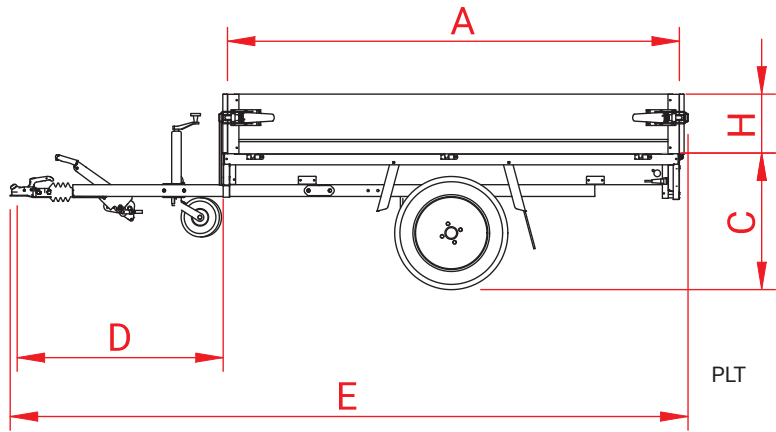


Need extra loading volume? The height of the loading platform is 60 cm due to the mounting of extension sides. PLT can be used very widely for all types of loads.

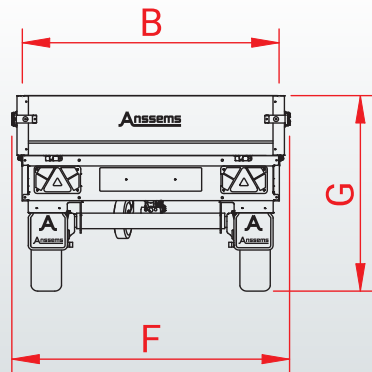
**Anssems**







**“THE ANSSEMS PLT IS THE PERFECT TRAILER FOR MY HOBBY AND PROFESSION”**



**Anssems**



# Typical Anssems

The Anssems Group has a complete program of transportation solutions for you with the brand names Anssems and Hulco. Anssems trailers has distinguished itself since 1977 by being reliable and sustainable. A generously selected standard equipment creates maximum user convenience.

Thanks to intercompany development, innovations and fully automated production processes, a high quality level is guaranteed. Anssems is one of the leading trailer producers in Europe.

Visit: [www.anssems.eu](http://www.anssems.eu)



**A** Low loader trailers **BSX**



**A** Low loader trailers **GT-O / GT-R**



**A** Tippers **KSX**



**A** Tippers **KLT**



**A** Flatbed trailers **PSX**



**A** Flatbed trailers **ASX**



**H** Flatbed trailers **MEDAX**



**A** Flatbed trailers **PLT**



**A** Car transporters  
**AMT**



**A** Car transporters  
**AMT**



**H** Plant trailers  
**TERRAX-Basic / TERRAX**



**A** Construction trailers **PTS**



**A** Multipurpose trailers  
**MSX**



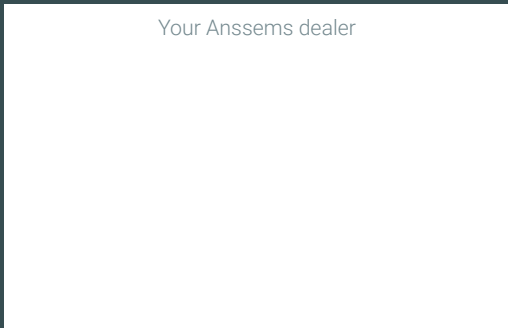
**A** Hard top cover trailers  
**GT-HT / GT-VT1**



**A** Box van trailers  
**GT-VT2 / GT-VT3 / GT-VT4**



**A** Horse trailers **PTH**



AB2001EN-PLT



## The Anssems group

**Anssems Aanhangwagens B.V.**  
Ericssonstraat 50  
NL-5121 ML Rijen

**Anssems Anhänger GmbH**  
Londoner Straße 15  
D-48455 Bad Bentheim-Gildehaus

**Anssems Remorques Sarl**  
Rue Pierre Brosolette  
FR-58600 Garchizy

**Hulco Trailers GmbH**  
Wiener Straße 34  
D-48455 Bad Bentheim-Gildehaus